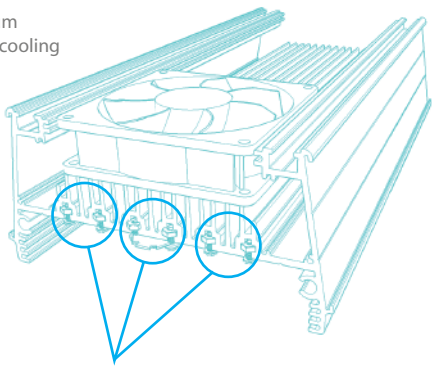


# MakersLED

The New DIY LED Fixture Standard.

## Built Around Standards:

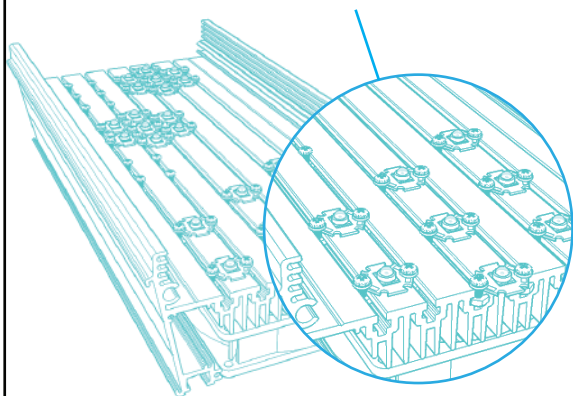
Oversize Aluminum heatsink for high cooling capacity.



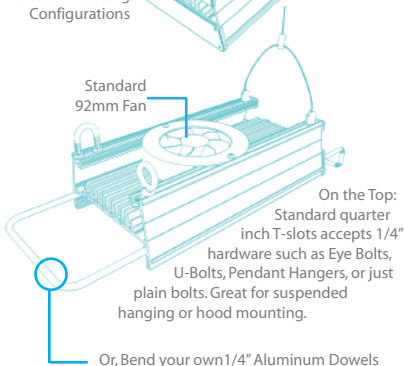
Integrated T-Slots allow easy mounting of LEDs, hangers, drivers, and fans.



Various Mounting Configurations



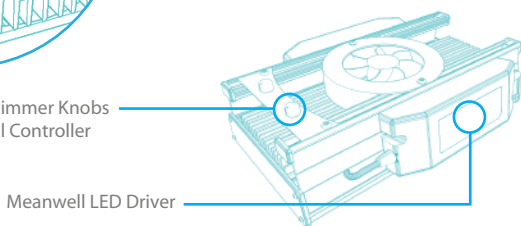
Potentiometer Dimmer Knobs  
Or Multi-Channel Controller



Standard  
92mm Fan

On the Top:  
Standard quarter  
inch T-slots accepts 1/4"  
hardware such as Eye Bolts,  
U-Bolts, Pendant Hangers, or just  
plain bolts. Great for suspended  
hanging or hood mounting.

Or, Bend your own 1/4" Aluminum Dowels



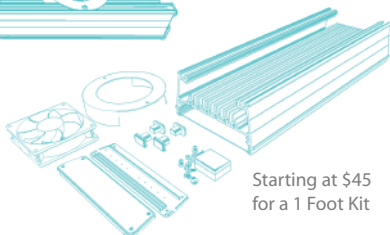
Meanwell LED Driver



1 Ft Increments Available

It's a DIY Kit, Available At:

**MakersLED.com**



Starting at \$45  
for a 1 Foot Kit